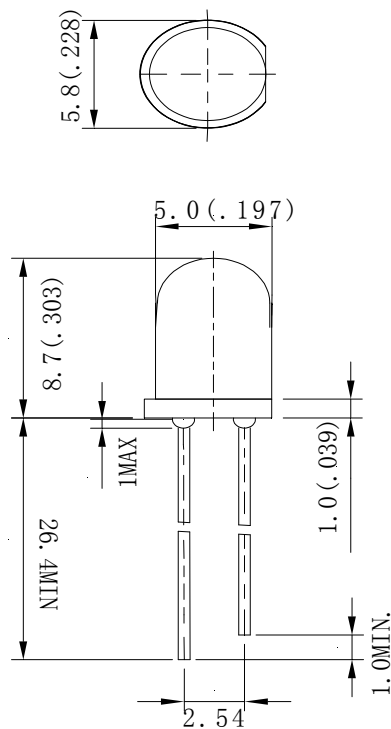


Features

- 5mm IR LED
- Wide Range Of Collector Current
- Lensed for high sensitivity.
- Low cost plastic side looking package.
- Clear transparent color package.
- Meet ROHS Green Product
- Package: 1000pcs/pack

Applications

- Emit

Package Dimensions**Notes:**

1. All dimensions are in millimeters (inches).
2. Tolerance is $\pm 0.2\text{mm}$ (.0079") unless otherwise noted.
3. Specifications are subject to change without notice

**Selection Guide**

Part No	Lens Type	Dice	Emitted Color
FDI-503E140-ZC1	Water Clear	GaAsP/GaAnInP	-

Electrical / Optical Characteristics At Ta=25°C

Parameter	Symbol	Min.	Typ.	Max.	Unit	Test Condition
2θ1/2	Viewing Angle		40		deg	IF=20mA
λ Peak	Peak Emission Wavelength		940		nm	IF=20mA
Δλ	Spectral Line Half-Width		50		nm	IF=20mA
VF	Forward Voltage		1.3		V	IF=20mA
VF	Forward Voltage		1.5	1.8	V	IF=100mA
IR	Reverse Current			10	uA	VR 5V
IE	Radiant Intensity		25		mw/sr	IF=20mA

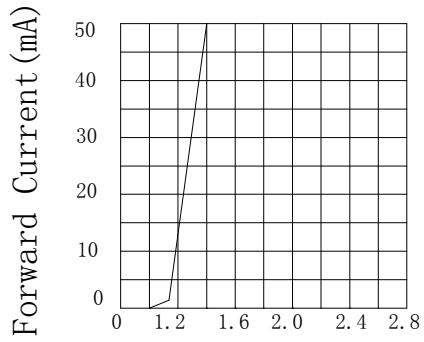
Absolute Maximum Ratings At Ta=25°C

Parameter	Maximum Rating	Unit
Power Dissipation	100	mW
Peak Forward Current[1]	1	A
Continuous Forward Current	50	mA
Reverse Voltage	5	V
Operating Temperature Range	-20°C to + 80°C	
Storage Temperature Range	-30°C to + 100°C	
Soldering Condition	260°C For 5 Seconds	

Note:

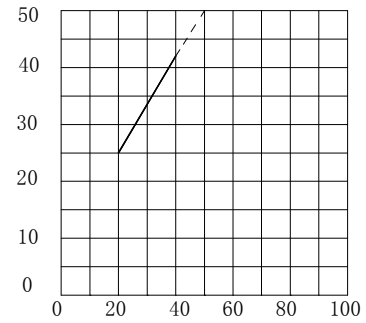
1. 1/10 Duty Cycle, 10 μ s PulseWidth

Electrical Optical Characteristics Curves At Ta=25°C

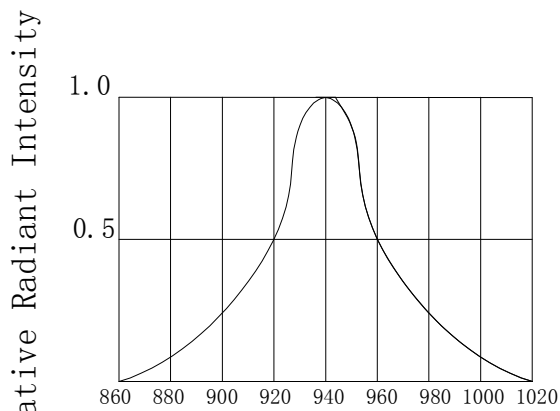


Forward Voltage VF (V)

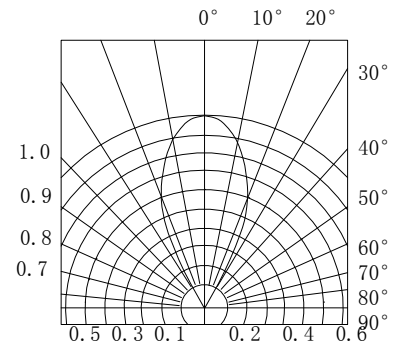
Relative Lumious Intensity
Normalized of 20mA



Forward Current (mA)



Wavelength(nm)
Spectral Distribution



VIEW ANGLE